



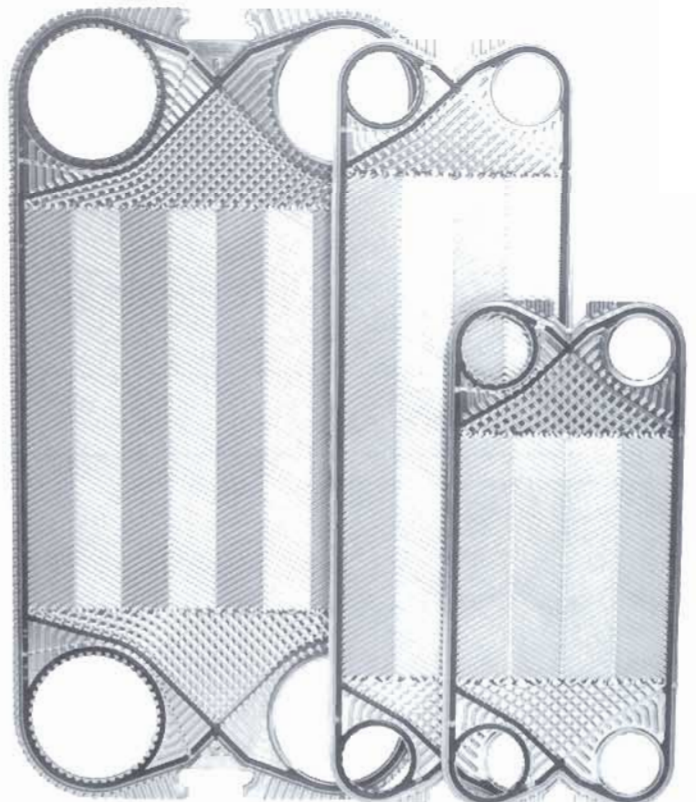
SONDEX

Sondex "SEMI-WELDED" Plate Heat Exchanger

Semiwelded plates are built up in plate cassettes. A plate cassette is 2 plates welded together by means of laser welding. The advantage by this construction is on the one side a welded plate channel and on the other side a traditional plate channel with gaskets making assembling and cleaning of this side easier. On the welded side there are two specially produced corner hole gaskets creating the tightening between the two cassettes. Thus the gasket is reduced to a minimum on the welded side.

Further Advantages and Applications

- This type of heat exchanger is specially designed for the refrigerating sector and for tasks where aggressive media are applied.
- The welding of the plate cassettes takes place outside the gasket groove. This practically eliminates the risk of corrosion attack in the gasket groove.
- When the welding takes place outside the gasket groove the disposable heat transmission area is optimum utilized.
- The plate cassettes are supplied with a gasket construction increasing the tightness concurrently with the increase of the working pressure.
- Like the traditional plate heat exchanger plates the plate cassettes fully comply with the US 3A standard making this construction applicable for many sanitary tasks.



Technical data

Frame design:

Mild steel blue industrial painted.

Nozzles:

Carbon steel
Metal lined: Stainless steel
Titanium

Plate material:

AISI 316/Titanium/SMO/Hasteloy C

Working pressure:

PN16 / PN25

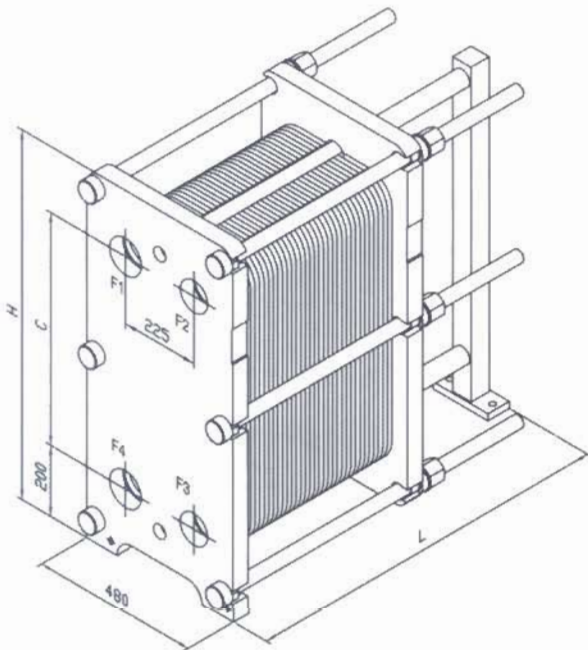
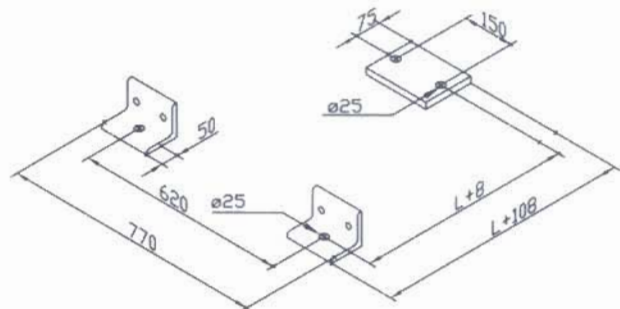
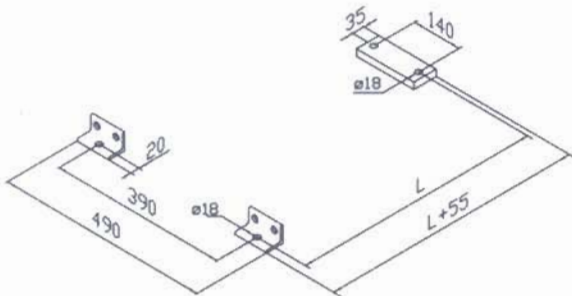
Gaskets:

NITRILE - EPDM - VITON - CHLOROPRENE

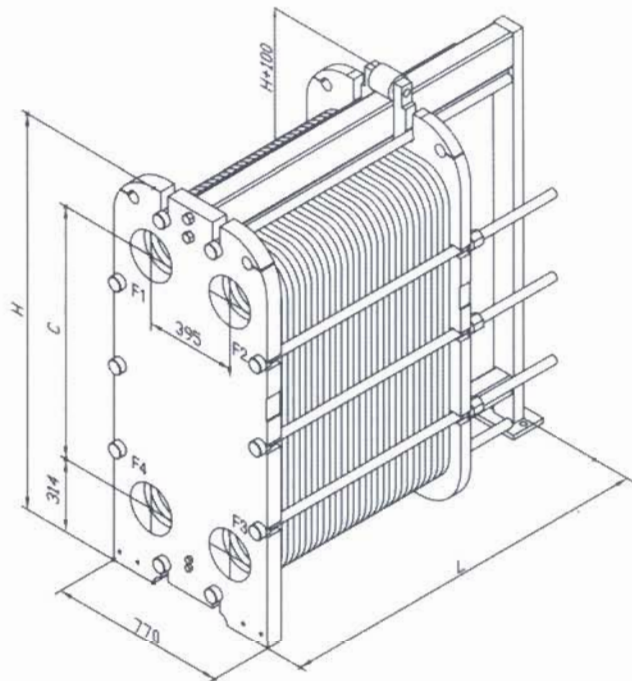
Connections:

SW24/40 DN100

SW59 DN200



Frame size	Dimension H	Dimension C
SW24-IS	1026	655
SW40-IS	1426	1055



Frame size	Dimension H	Dimension C
SW59-IS	1604	998

Printed in Denmark by Egtved Bogtrykkeren · 75 55 24 99



SONDEX AIS · JERNET 9 · DK-6000 KOLDING · DENMARK

SONDEX

PHONE +45 76 30 61 00 • TELEFAX +45 75 53 89 68 / +45 75 50 50 19 • E-mail: aae@sondex.dk

The manufacturer reserves the right at any time to change the specifications in force