

Technical Information:

Frame:

Painted frame with placement of clamping bolts on the frame edge.

Standard colour: Blue RAL 5010
can be made in other colours.

Stainless frame for the food and Dairy market

Working pressure:

The frames is designed to the following working pressure

0,6 MPa /1,0 MPa /1,6MPa

Construction Norm:

According to TÜV Norm A-D

"Merkblätter" B5 and PED 97/23/EC

Connections:

DN100 flange according to all known standards.

In carbon steel or rubber lined.

DN80/DN100 Dairy pipe or Dairy union according to all known standards.

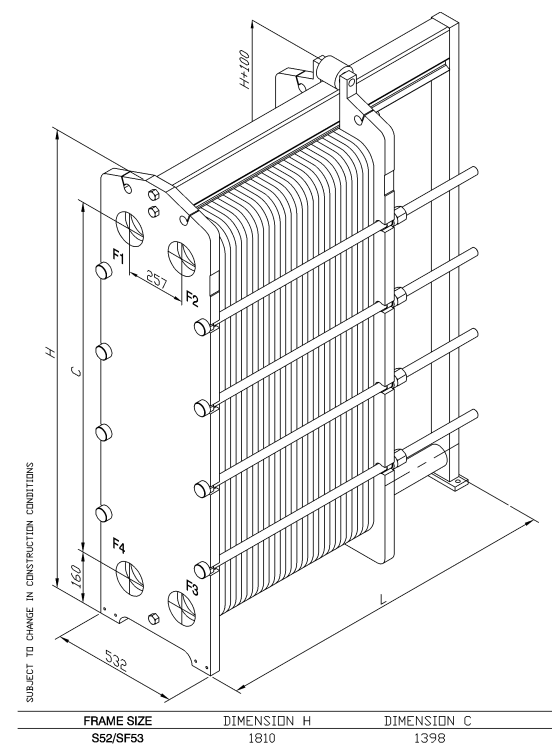
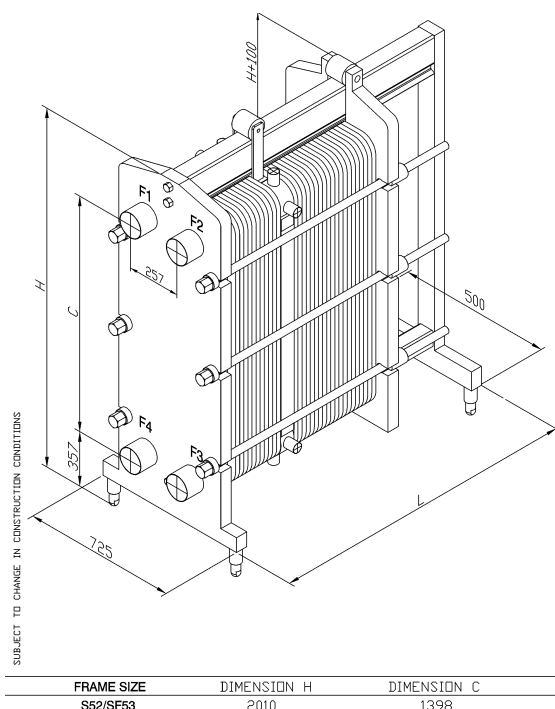
Extra Equipment:

Screen plate in stainless steel.

Insulating jacket.

Assembling key.

Foundation feet for frame.



SONDEX AIS • JERNET 9 • DK-6000 KOLDING • DENMARK

SONDEX