

**Technical Information:**

**Frame:**

Painted frame with placement of clamping bolts on the frame edge.

Standard colour: Blue RAL 5010  
can be made in other colours.

**Working pressure:**

The frames is designed to the following working pressure  
0,6 MPa /1,0 MPa

**Construction Norm:**

According to TÜV Norm A-D  
"Merkblätter" B5 and PED 97/23/EC

**Connections:**

DN300 flange according to all known standards.

In carbon steel, Rubber lined, Stainless steel or Titanium lined.

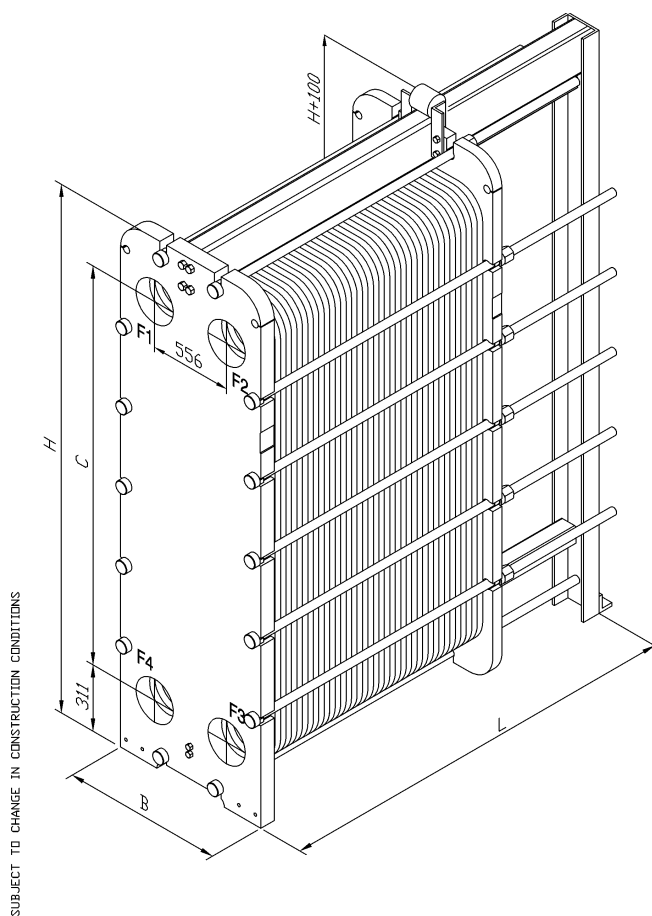
**Extra Equipment:**

Screen plate in stainless steel.

Insulating jacket.

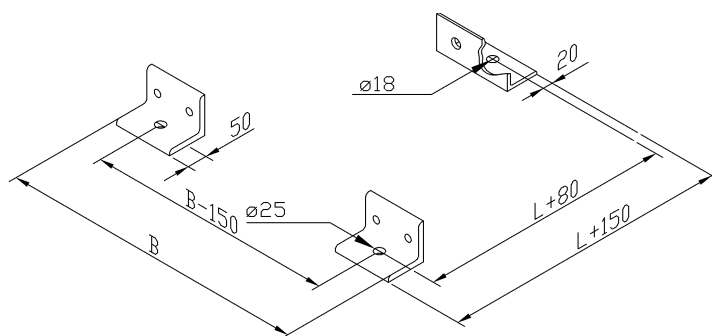
Assembling key.

Foundation feet for frame.



FRAME SIZE	DIMENSION H	DIMENSION C	DIMENSION B
SF160	2628	1916	1120

PLATE HEAT EXCHANGER GROUP:



SONDEX AIS • JERNET 9 • DK-6000 KOLDING • DENMARK

**SONDEX**