

Technical Information:

Frame:

Painted frame with placement of clamping bolts on the frame edge.

Standard colour: Blue RAL 5010
can be made in other colours.

Working pressure:

The frames is designed to the following working pressure
0,6 MPa /1,0 MPa

Construction Norm:

According to TÜV Norm A-D
"Merkblätter" B5 and PED 97/23/EC

Connections:

DN200 flange according to all known standards.

In carbon steel, Rubber lined, Stainless steel or Titanium lined.

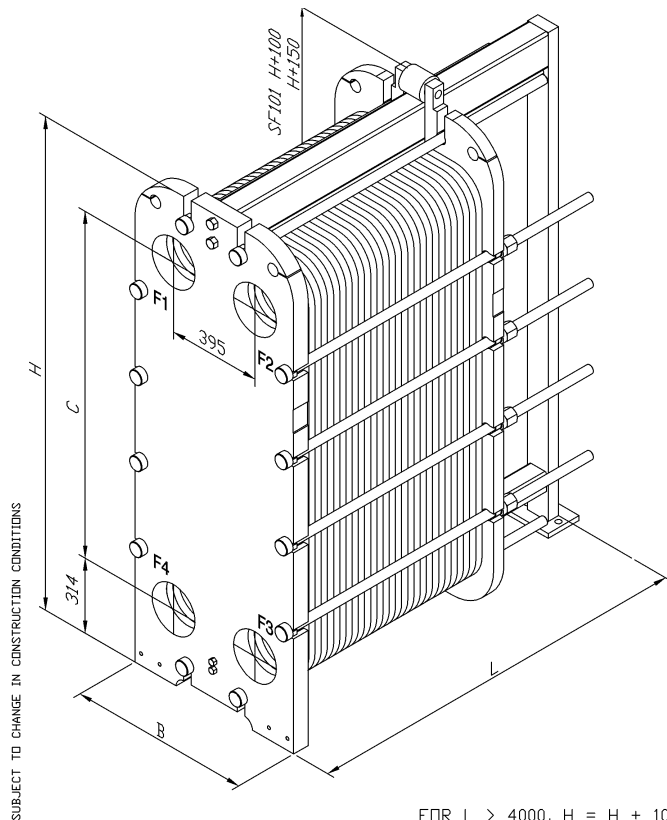
Extra Equipment:

Screen plate in stainless steel.

Insulating jacket.

Spanner.

Foundation feet for frame.

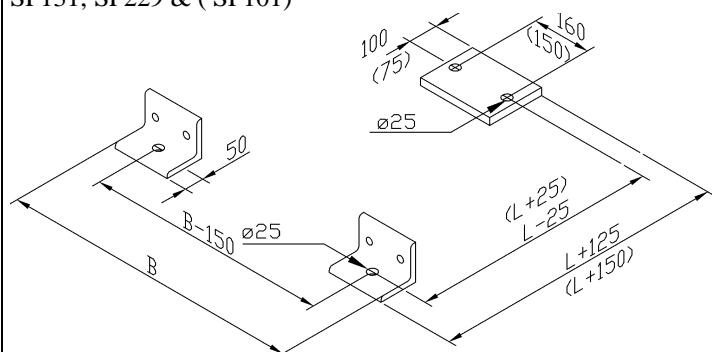


FOR L > 4000, H = H + 100

FRAME SIZE	DIMENSION H	DIMENSION C	DIMENSION B
SF101	2104	1489	800
SF131	2505	1891	800
SF229	3705	3091	800

PLATE HEAT EXCHANGER GROUP:

SF131, SF229 & (SF101)



SONDEX A/S • JERNET 9 • DK-6000 KOLDING • DENMARK

SONDEX